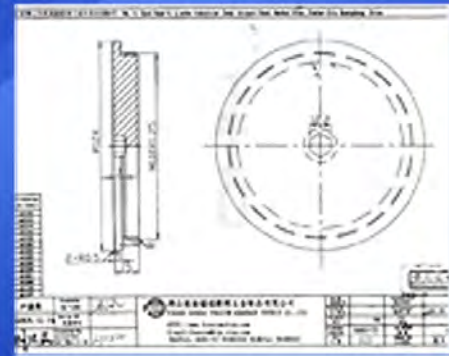
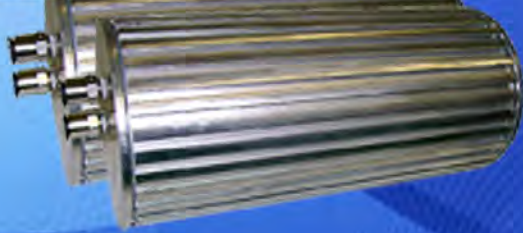


TWISTER™

HYDROGEN GENERATOR



How It Works

The electrolysis of water is the decomposition of water into oxygen and hydrogen gas due to an electric current being passed through the water. This electrolytic process is used for applications where hydrogen is needed as a fuel.

The TWISTER™ hydrogen generator uses patent pending technology created by inventor Ed Chiarini. His revolutionary quadric shaped stacking electrode design enables the TWISTER™ cell to produce more cool hydrogen and oxygen gas than any other device of its kind.

The Electrode

Utilizing the vertical stack quadric shape of each level of the electrode creates a symmetric and parallel environment for electron flow. This parallel positive and negative environment helps facilitate electron outward flow radiating from contact points residing in the center of each electrode cup.

Unlike other devices that feed current through the electrodes from one end or the other, the TWISTER™ unit utilizes these connections as part of the electrode itself. The positive and negative electrode connecting rods run vertical and parallel to one another and are positioned as close to the center of the electrode as possible.

This creates an outward radiating point similar to a ripple in a pond when a stone impacts the water.

For more information, please contact CV Industries at 214-263-2559

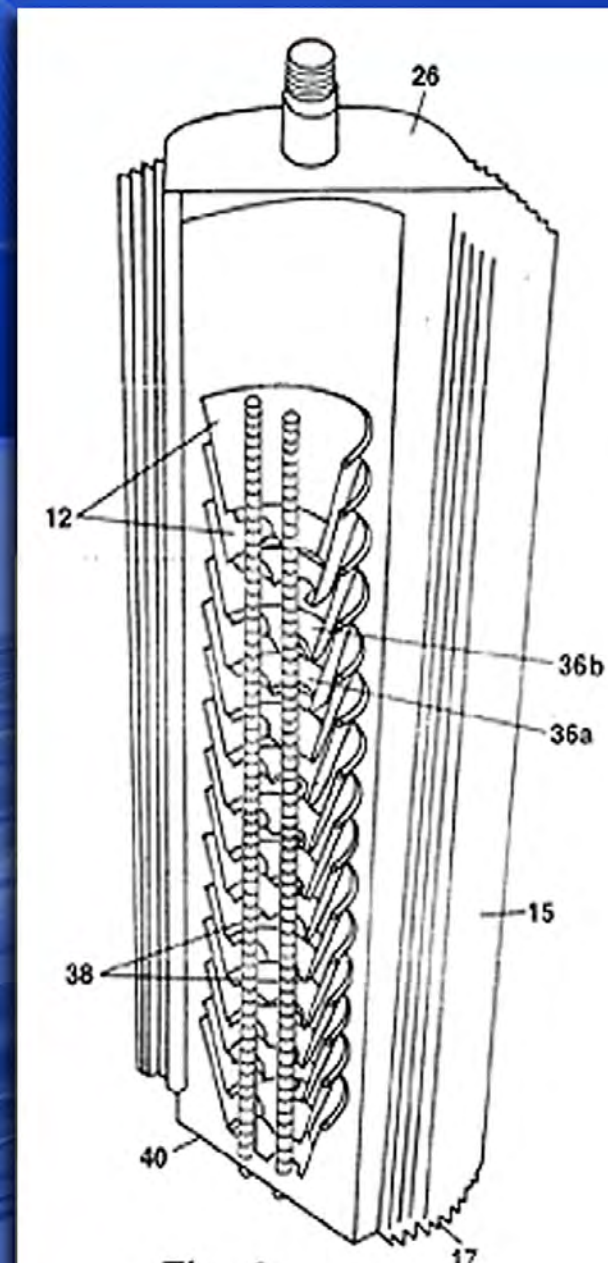


Fig. 2